

LV1A-H-3L-032A-480V

3PH / 3-LINE + GROUND HEMP FILTER

SPECIFICATIONS

MAX VOLTAGE: 0-277/0-480VAC

RATED CURRENT: 32A/LINE

OPERATING TEMP.: -40 TO 65C

HIPOT (L-G): 2200VDC

TERMINALS: M6

DISCHARGE VOLTAGE (@277V)

<20V IN 1 MINUTE

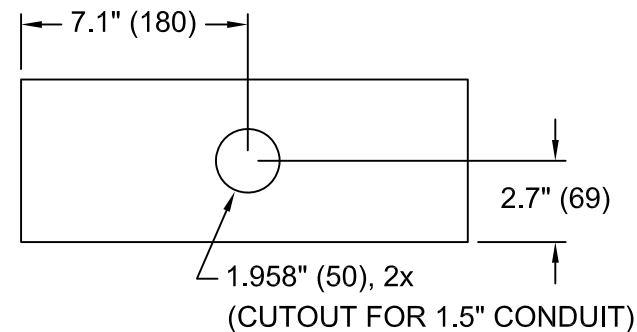
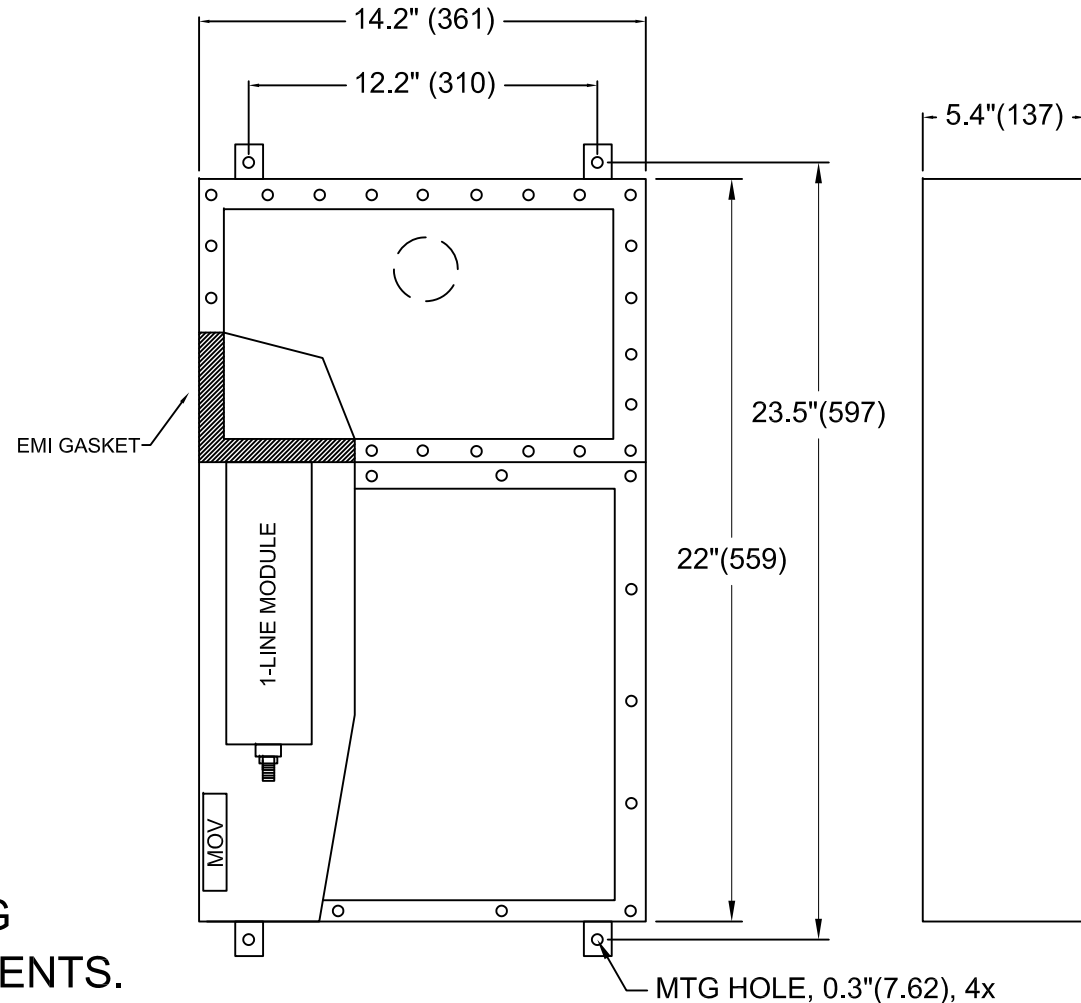
VOLTAGE DROP: <2% MAX AT FULL
RATED UNITY LOAD

PERFORMANCE: Mil-STD-188-125-1A

TYP. WEIGHT, LBS (KG): 58 (26)

GND STUD: M6 (EACH ACCESS AREA)

MANUFACTURED FOR WALL MOUNTING
FOR INDOOR CONTROLLED ENVIRONMENTS.
ALL EMI SEAMS 100% WELDED AND OUTPUT
ACCESS SEALED WITH EMI GASKET.



PROPRIETARY NOTE:
NOTICE TO ALL PERSONS RECEIVING THIS DRAWING:
THIS DOCUMENT IS THE PROPERTY OF TSSUSA,
AND IS NOT TO BE DISCLOSED, REPRODUCED IN WHOLE
OR IN PART OR USED FOR MANUFACTURING PURPOSES
BY ANYONE WITHOUT THE CONSENT OF PREMIER FILTERS.