

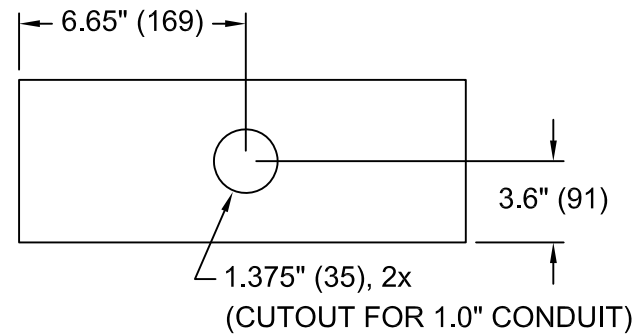
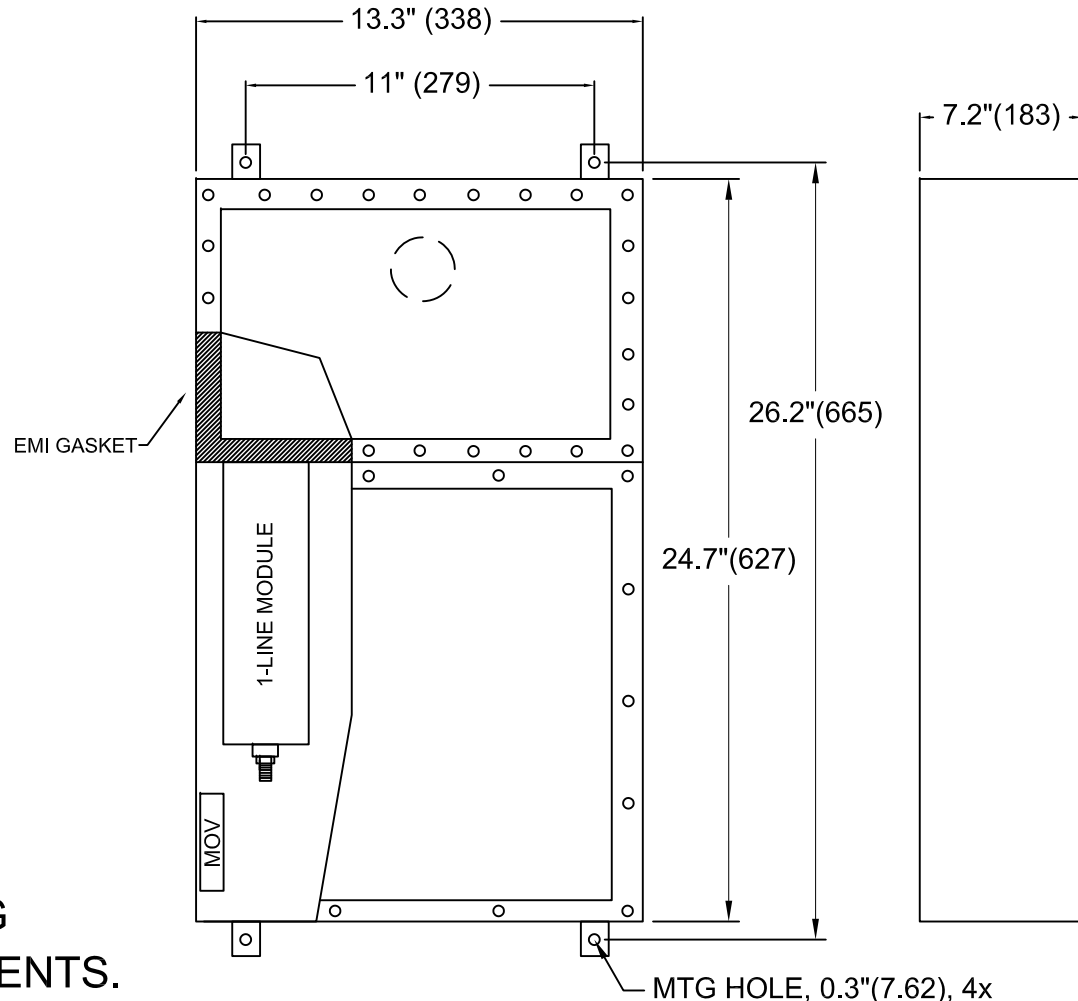
# LV1A-H-2L-63A-480V

## 1PH / 2-LINE + GROUND HEMP FILTER

### SPECIFICATIONS

- MAX VOLTAGE: 0-277/0-480VAC
- RATED CURRENT: 63A/LINE
- OPERATING TEMP.: -40 TO 65C
- HIPOT (L-G): 2200VDC
- TERMINALS: M6
- DISCHARGE VOLTAGE (@277V)  
<20V IN 1 MINUTE
- VOLTAGE DROP: <2% MAX AT FULL  
RATED UNITY LOAD
- PERFORMANCE: Mil-STD-188-125-1A
- TYP. WEIGHT, LBS (KG): 81 (37)
- GND STUD: M6 (EACH ACCESS AREA)

MANUFACTURED FOR WALL MOUNTING  
FOR INDOOR CONTROLLED ENVIRONMENTS.  
ALL EMI SEAMS 100% WELDED AND OUTPUT  
ACCESS SEALED WITH EMI GASKET.



**PROPRIETARY NOTE:**  
NOTICE TO ALL PERSONS RECEIVING THIS DRAWING:  
THIS DOCUMENT IS THE PROPERTY OF TSSUSA,  
AND IS NOT TO BE DISCLOSED, REPRODUCED IN WHOLE  
OR IN PART OR USED FOR MANUFACTURING PURPOSES  
BY ANYONE WITHOUT THE CONSENT OF PREMIER FILTERS.